

DIEHLControls



SELFMAT ENCLOSURES

**The Wall Mounted Electronic Enclosure for
Permanent Installation**

General Description

Compact Enclosure, Din Rail and Surface, Mountable for Use with Series 880, 884, and 885

Applications

Heaters, Filter Pumps, Fans, Blowers, Signs, Indoor and Outdoor Lighting, Feeders, Security Alarm Systems, and Process Controls



BORG GENERAL CONTROLS

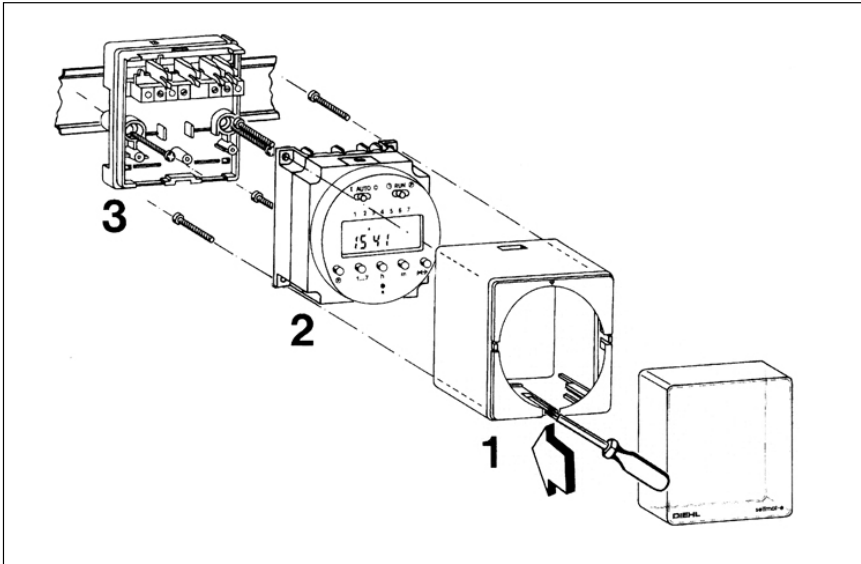
1386 Jarvis Avenue
Elk Grove Village, IL 60007

800/338-1260
847/640-4635
F: 847/640-7934

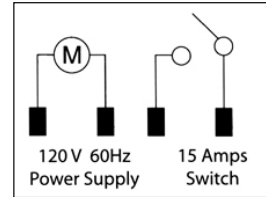
e-mail: sales@borggeneral.com
www.borggeneral.com

SELFMAT ENCLOSURES

The Wall Mounted Electronic Enclosure for Permanent Installation



Mounting Diagram



Connection Diagram

Switch Output
15 Amp @ 24VAC, 120VA
10 Amp @ 220VAC, 240VA

Technical Data

Also available in SPDT

Rated Voltage

12VDC
24VDC
24VAC
120VAC
220VAC
240VAC

Dimensions

70 x 70 x 54 mm

Approvals

VDE
CE
UL

DIEHLControls

BORG GENERAL CONTROLS LLC.
1386 Jarvis Avenue
Elk Grove Village, IL 60007

800/338-1260 F: 847/640-7934

©2003 Borg General Controls LLC.

Printed in U.S.A.