



24 HOUR & 7 DAY TIMESWITCHES

Series 887 • Programmable Quartz Timeswitches

General Description

Quartz timeswitch which provides accurate timing for either daily or weekly programs via captive trippers.

Features

- Quartz motor driven with reserve
- Simple and fast to set
- Indication of switch-on period by orange disc section
- Connection by tab terminals
- Daily version: 96 operations (48 on/off maximum), 15 minute on/off time
- Weekly version: 84 operations (42 on/off maximum), 2 hour on/off time
- DIN rail mountable
- Heavy duty construction
- Other colors and languages available upon request
- Accessory mounting parts available

Programming

- Set actual time-of-day by rotating the program disc clockwise
- Time-of-day visible on program disc
- Set switching program by engaging the switch actuators
- Visible part of the orange disc section shows switch-on period

Applications

Popular applications include: Heaters, filters, pumps, indoor and outdoor lighting, signs, fans, blowers, air conditioning, feeders, security/alarm systems, and process controls.



BORG GENERAL CONTROLS

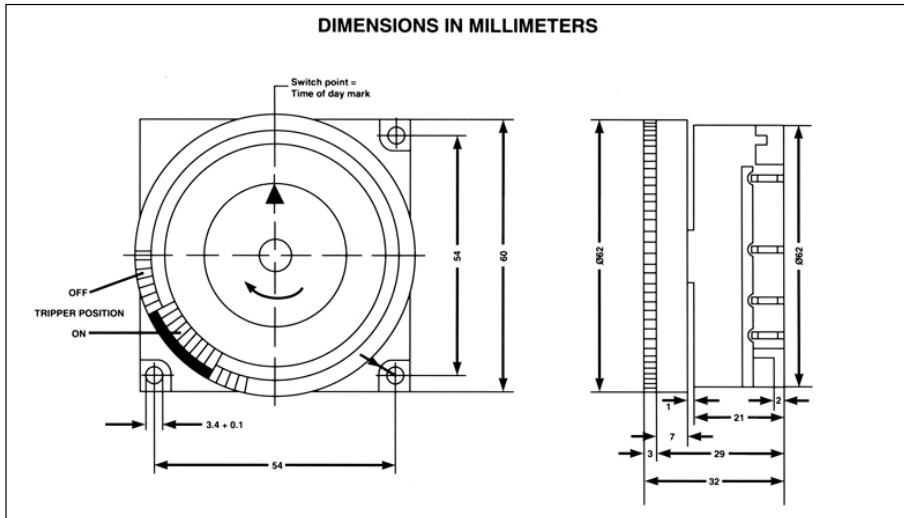
1386 Jarvis Avenue
Elk Grove Village, IL 60007

800/338-1260
847/640-4635
F: 847/640-7934

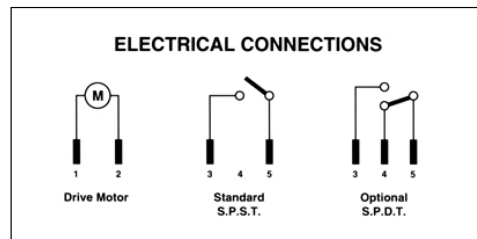
e-mail: sales@borggeneral.com
www.borggeneral.com

24 HOUR & 7 DAY TIMESWITCHES

Series 887 • Programmable Quartz Timeswitches



RATED VOLTAGE	CONTACT RATING	
	SPST	SPDT
24VAC/12VDC	20 amps	15 amps
120VAC	20 amps	15 amps
220VAC	15 amps	15 amps
240VAC	15 amps	15 amps



Technical Data

Power reserve:
150 hours

Switching:
SPST and SPDT

Power Supply:
Multitension
100-240 VAC
12-48 VAC/VDC

Rated Frequency:
50/60Hz

Contact gap μ -contact
ON/OFF switch 16 (2) A/250 VAC
ON/OFF switch 16 (8) A/250 V

Optional switchover:
10 (2) A/250 VAC

Power input <1 W

Approvals

UL, CSA, VDE, OVE, SEV,
SEMKO, UTE, NEMKO, DEMKO,
KEMA, FI, BEAB, IMQ

DIEHLControls

BORG GENERAL CONTROLS LLC.
1386 Jarvis Avenue
Elk Grove Village, IL 60007

800/338-1260 F: 847/640-7934

©2003 Borg General Controls LLC.

Printed in U.S.A.