



24 HOUR & 7 DAY TIMESWITCHES

Series 880 & 880/1 • Programmable Timeswitches

General Description

Synchronous timeswitches which provide accurate timing for either daily or weekly programs via captive trippers.

Features

- Synchronous motor driven
- Simple and fast to set
- Indication of switch-on period by orange disc section
- Connection by tab terminals
- Daily version: 96 operations (48 on/off maximum), 15 minute on/off time
- Weekly version: 84 operations (42 on/off maximum), 2 hour on/off time
- DIN rail mountable
- Heavy duty construction
- Other colors and languages available on request
- Accessory and mounting parts available

Programming

- Set actual time-of-day by rotating the program disc clockwise
- Time-of-day visible on program disc
- Set switching program by engaging the switch actuators
- Visible part of the orange disc section shows switch-on period

Applications

Popular applications include: Heaters, filters, pumps, indoor and outdoor lighting, signs, fans, blowers, air conditioning, feeders, security/alarm systems, and process controls.



BORG GENERAL CONTROLS

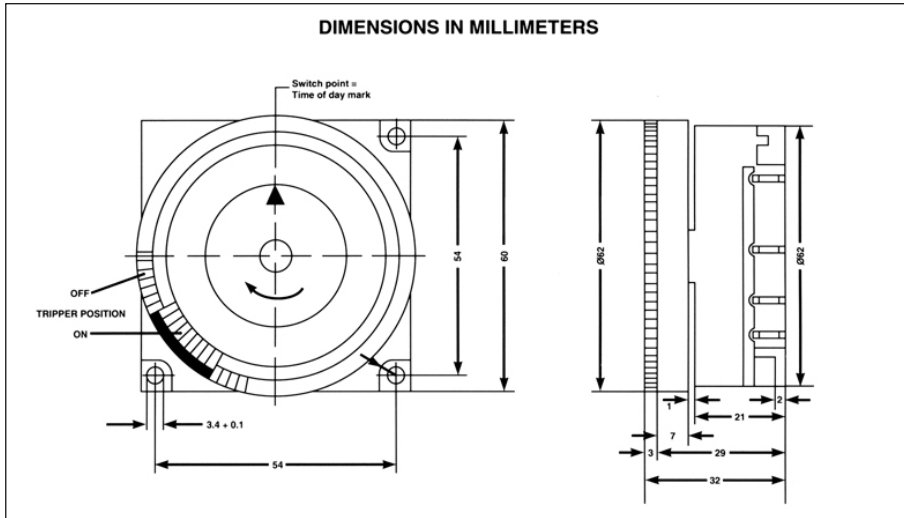
1386 Jarvis Avenue
Elk Grove Village, IL 60007

800/338-1260
847/640-4635
F: 847/640-7934

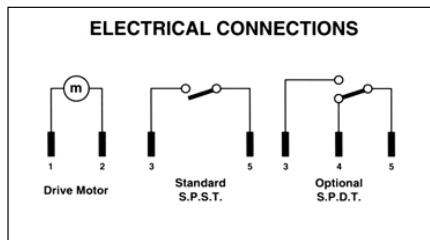
e-mail: sales@borggeneral.com
www.borggeneral.com

24 HOUR & 7 DAY TIMESWITCHES

Series 880 & 880/1 • Programmable Timeswitches



RATED VOLTAGE	CONTACT RATING	
	SPST	SPDT
24VAC	20 amps	15 amps
120VAC	20 amps	15 amps
220VAC	15 amps	15 amps
240VAC	15 amps	15 amps



Technical Data

Rated Power:
1.7 W

Rated Frequency:
50 Hz
60 Hz

Switching:
SPST
SPDT

Connections:
6.3 x 0.8mm tab terminals
(complies with DIN 46244)

Approvals

UL, CSA, VDE, OVE, SEV,
SEMKO, UTE, NEMKO, DEMKO,
KEMA, FI, BEAB, IMQ

DIEHLControls

BORG GENERAL CONTROLS LLC.
1386 Jarvis Avenue
Elk Grove Village, IL 60007

800/338-1260 F: 847/640-7934

©2003 Borg General Controls LLC.

Printed in U.S.A.